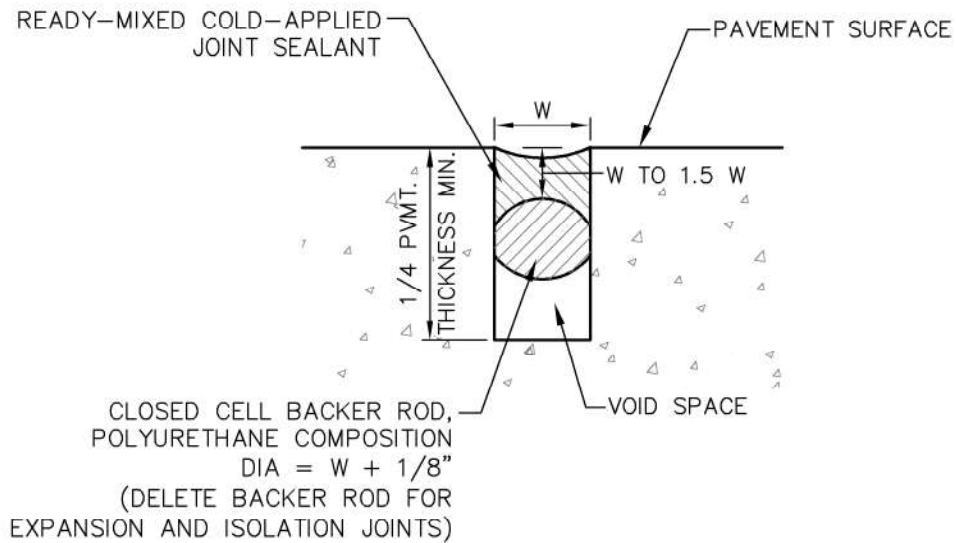


- NOTES:
1. TO BE PLACED IN A GRID PATTERN WITH MAX. OF 10' TO 15' O.C.E.W.

CONTRACTION JOINT DETAIL

N.T.S.



BACKER ROD DETAIL

N.T.S.